


PRODUCT SHEET

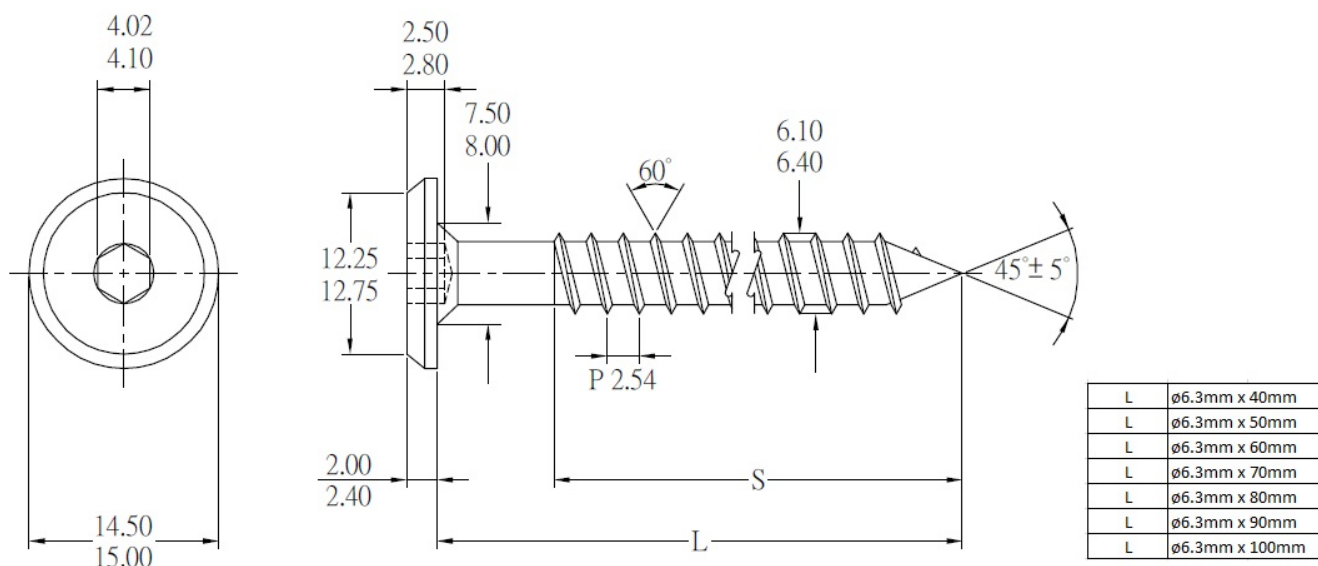
Description:

Fifteen Wood Screw, Steel NPL, $\phi 6.3\text{mm} \times 50\text{mm}$, Hex 4mm

Item number:

12.01.352-1

Units	Box	Carton	HS Code	Barcode
Pcs.	1	1800	7318149199	
5704866020190				



SISO A/S

Mileparken 11
DK-2740 Skovlunde
Denmark
VAT: DK 24786013

Phone +45 45 830 900

www.siso.dk
siso@siso.dk

Danske Bank
Nytorv Branch
Copenhagen
SWIFT: DABADKKK

Account no.
4180 3112 112936
IBAN Account
DK7230003112112936